

Technical Data sheet



GENERAL CHARACTERISTICS

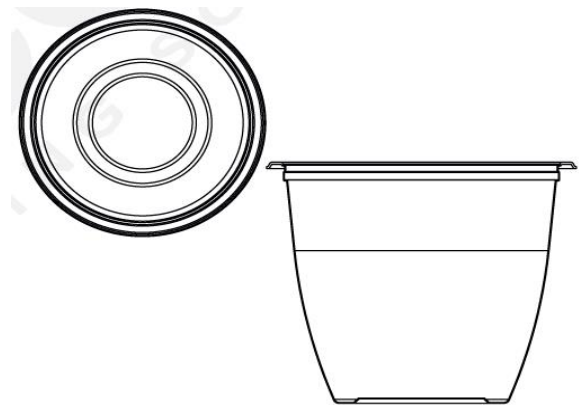
No. PACCOR reference:	F219273
Customer:	Standard
Customer reference:	0
Creation date:	11/08/2023
Version of technical data sheet:	0
Plan No.:	10362 01 A
Material recipe:	APET / Rpet
Application	Food Service

DECORATION AND MARKINGS

Insert number:	Yes
Article number:	No
EAN stick code:	3760030270107
EAN package code:	3760030275119
Logo:	

TECHNICAL SPECIFICATION

Weight (g):	18,20 g +/- 1,8
Length (mm):	Non applicable
Width (mm):	Non applicable
Height (mm):	109,00 mm +/- 0,4
Outer diameter (mm):	129,00 mm +/- 0,4
Staking height (mm):	6,70 mm +/- 0,3
Treatment:	Antiblocking
Color:	Transparent
LAB Delta E:	Not applicable
Compressive strength (daN):	Not applicable
Filling volume to the brim (mL):	750ml



PACKAGING & STORAGE

Packaging type:	12096 bowls (2 pal of 12 boxes)
Packaging details:	504 bowls (12 sleeves of 42 bow
Packaging dimensions (mm):	1200x800x1300 (1 pallet)
Packaging weight (kg):	141kgs (1 pallet)
Stackable:	Yes, 1+1
Storage restrictions:	-20°C / 50°C
Expiration date:	1 year
Restriction on use:	no heating
Customs code:	SH 3923301000